

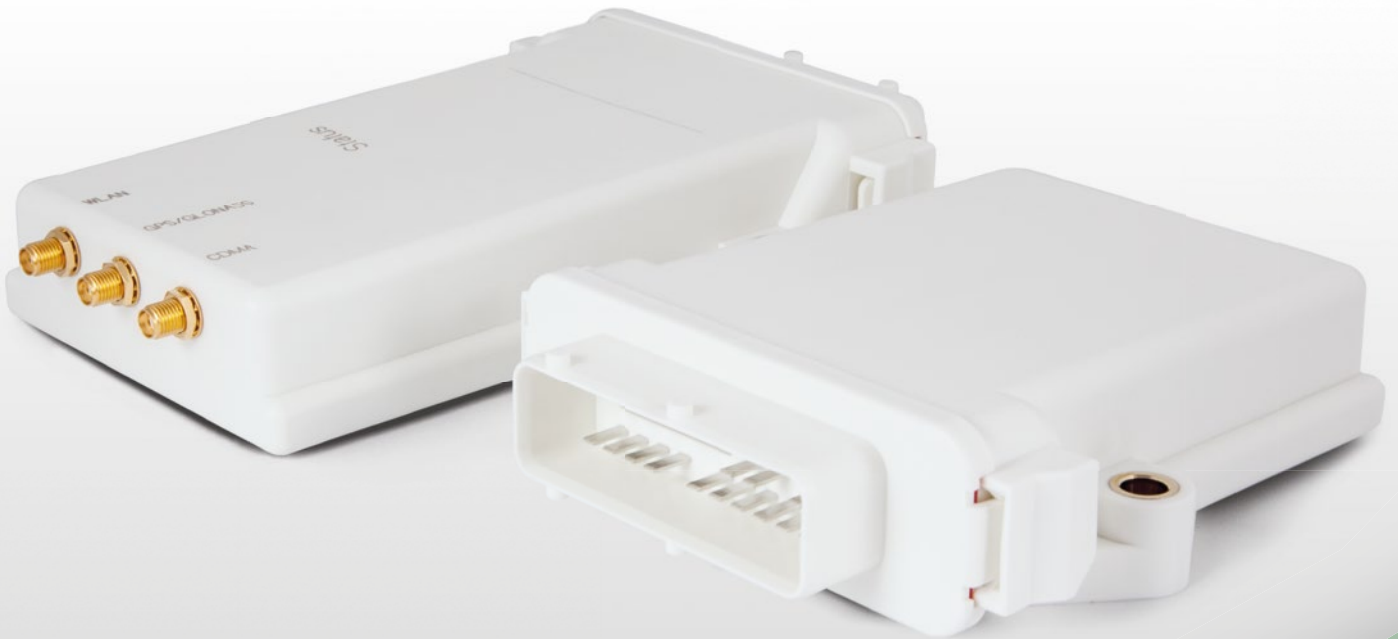


Sensor-Technik Wiedemann GmbH
Mobile Controllers and Measurement Technologies

Pioneering new technologies

Technical Data

Teleservice module ESX-TC3G



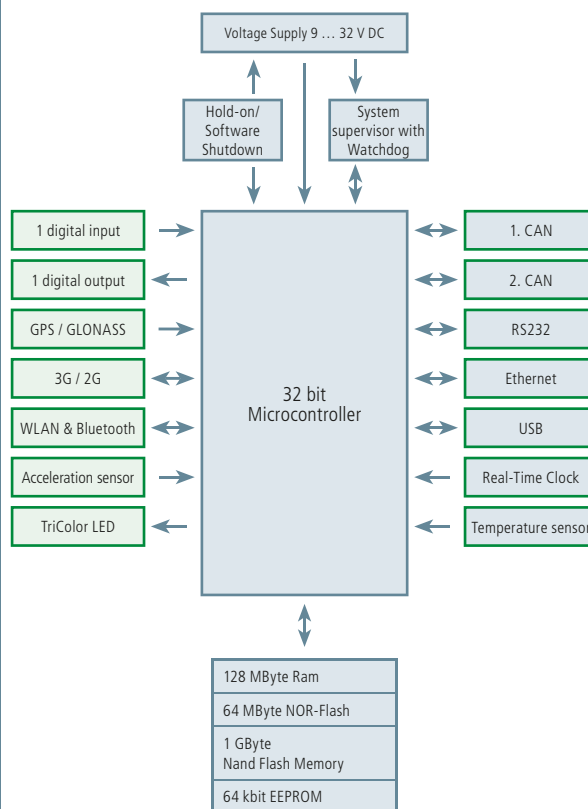
www.sensor-technik.com



ESX-TC3G - Technical Data

Processor and Memory	
Processor	32 Bit Controller, MPC5200B 400 MHz
RAM	128 MByte
NOR-Flash	64 MByte
FRAM / EEPROM	8 kByte
NAND-Flash-Memory	1 GByte
Interfaces	
CAN	2 x CAN 2.0 B (11 Bit and 29 Bit Identifier), Low- / High-Speed up to 1 Mbit/s
RS232	(serial interface) programmable baud rate
Ethernet	IEEE 802.3, 10/100 Mbit
Optional Interfaces with Expansion Board	
Basic configuration of Expansion Board	
I/Os	1 digital input 1 digital output
USB	1.1 / Low- & Full-speed Host-Interface
3 axis accelerometer with wake-up function	
TriColour-LED: freely programmable indication of the operating state (visible through the housing)	
Optional modules for Expansion Board	
WLAN & Bluetooth	IEEE802.11 a/b/g/n, 2.4 & 5 GHz, Access point and infrastructural mode Bluetooth V2.1+EDR, BLE (Bluetooth Low Energy), Power Class 1.5
3G / 2G Modem	Five-Band 3G - HSPA+ , Quad-Band 2G - GPRS/EDGE
GPS & GLONASS	GLONASS & GPS simultaneously, 1...10Hz update rate, 33 tracking channels, SBAS (WAAS, EGNOS, MSAS, GAGAN, QZSS)
Software	
Linux operating system Board support package (including source code) Open Source development environment TAF - Teleservice Application Framework	
System Data	
Voltage Supply	9 ... 32 V DC
Current	350 mA at 12 V
Real Time Clock	Gold cap buffered with wake-up and alarm function
Internal temperature sensor	
Mechanical Data	
Connector	19 pol. automotive standard connector (Tyco / AMP)
Housing	IP67 / IP69k
Weight	0,3 kg (0.67 lbs)
Dimensions	approx. 134 mm x 117 mm x 36 mm (5.28" x 4.61" x 1.42")
Environmental Specification	
Requirements	Tested to the standards of automotive, agricultural and construction machine industries. CE conform.
Temperature Range	Operating: -30°C ... +60°C (-22°F ... +140°F) housing temperature

Block diagram



The ESX-TC3G is a linux based communication and teleservice module of exceptional capability. With multiple interfaces it forms the basis of practically every conceivable application. Alongside standard interfaces such as RS232, USB and Ethernet the module offers wireless communication via Bluetooth, 2G/3G and WLAN. The built-in GPS/GLONASS module continuously provides the current position. The hardware is available with internal and external antennas. This technology, encased in an IP69k (internal antenna version only) housing, opens new possibilities in the realm of teleservice.



Innovative SIM card slot inside the connector (patented).



Sensor-Technik Wiedemann GmbH
Steuer- und Regelelektronik
 Am Bärenwald 6
 87600 Kaufbeuren
 Deutschland
 Telephone +49 8341 9505-0
 Telefax +49 8341 9505-55
 E-mail info@sensor-technik.de
 Internet www.sensor-technik.de

STW-Technik, LP
Mobile Controllers and
Measurement Technologies
 3000 Northwoods Parkway, Suite 240
 Peachtree Corners, GA 30071, USA
 Telephone +1 770 242-1002
 Telefax +1 770 242-1006
 E-mail sales@stw-technik.com
 Internet www.stw-technik.com

Sensor-Technik UK Ltd.
 Unit 21M
 Bedford Heights Business Centre
 Manton Lane, Bedford
 MK41 7PH, UK
 Telephone +44 1234 270770
 Telefax +44 1234 348803
 E-mail info@sensor-technik.co.uk
 Internet www.sensor-technik.co.uk